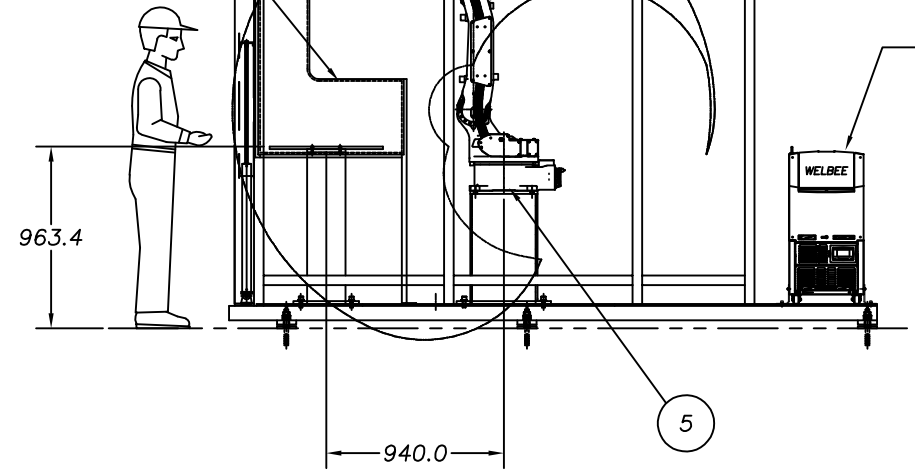
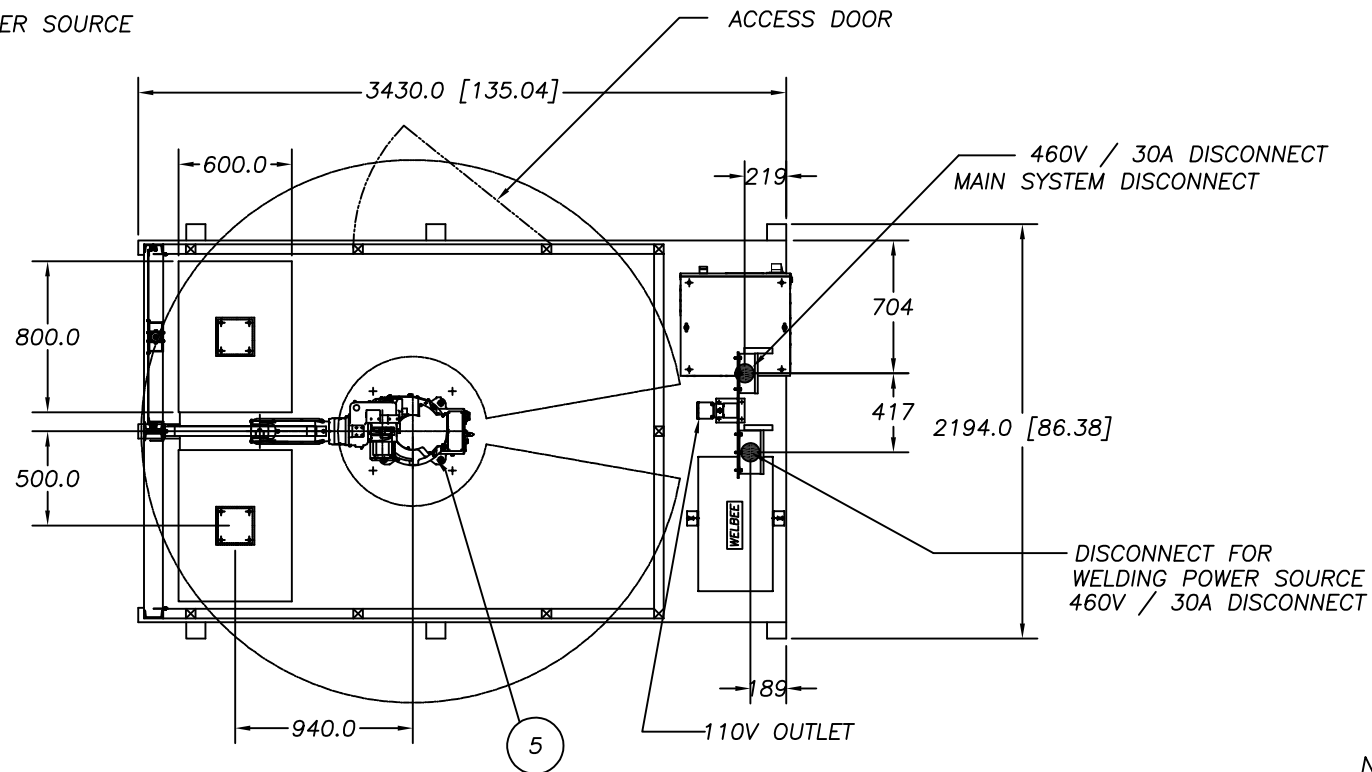


CENTER GUARD



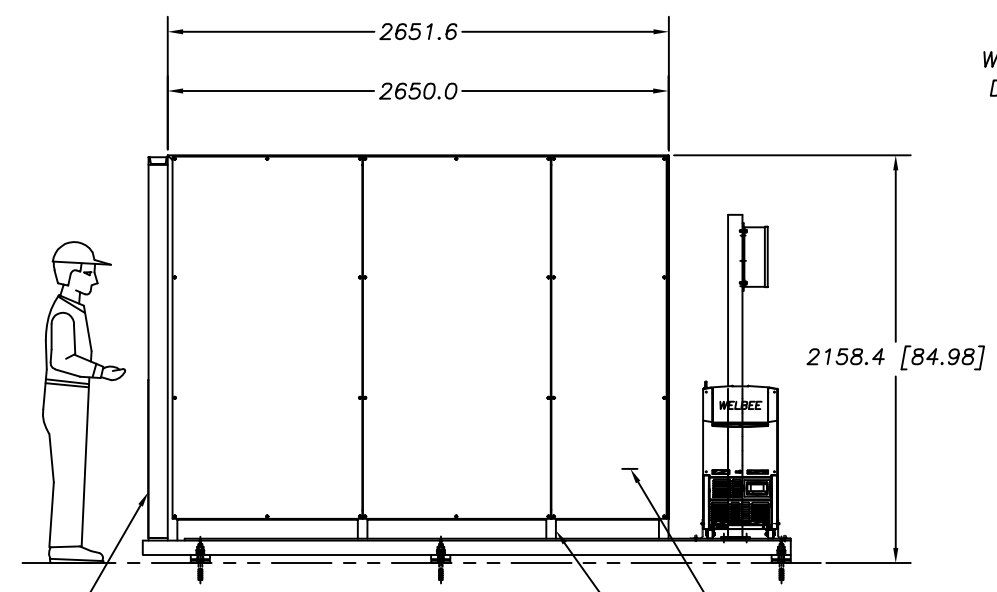
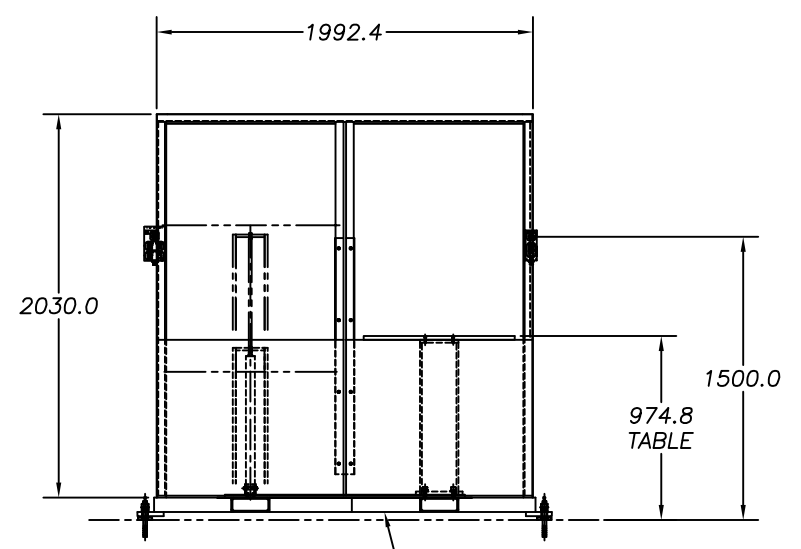
PANELS REMOVED THIS VIEW

WELDING POWER SOURCE

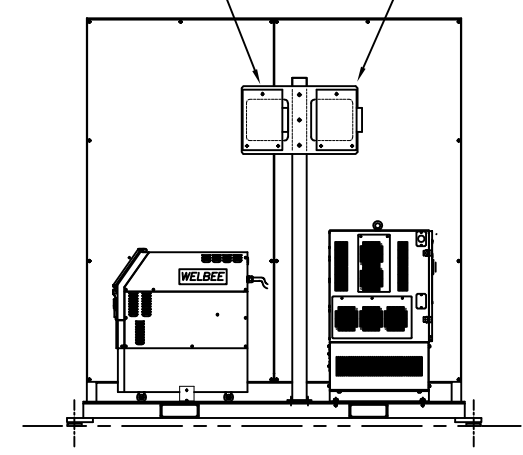


NOT SHOWN

- 6 J-BOX ASSY (SEE 1M0422L00)
- 7 PNEUMATIC ASSY (SEE 1M0422M00)



WELDING POWER SOURCE DISCONNECT MAIN SYSTEM DISCONNECT



TOLERANCES UNLESS OTHERWISE SPECIFIED				THIRD ANGLE		MODEL No.:	THIRD ANGLE	MATERIAL:
1 PLACE DECIMALS ±.04"	1 PLACE DECIMALS ±0.5mm	△				ECO ARC-200		—
2 PLACE DECIMALS ±.02"	2 PLACE DECIMALS ±0.13mm	△				SCALE: 1:20		PROD. QTY: —
3 PLACE DECIMALS ±.005"	3 PLACE DECIMALS ±0.013mm	△				APPROVAL: CHK: DOW	DATE: 8/7/19	ARTICLE: GENERAL ASSY
4 PLACE DECIMALS ±.0005"		△						
ANGLES ±1	DO NOT SCALE DRAWING	△						
BREAK ALL SHARP EDGES UNLESS OTHERWISE SPECIFIED				△				
STAMP PART NO. AND REVISION LETTER ON EACH PART				REV.	DATE	DESCRIPTION	DRWN	
							DAIHEN, Inc.	
							DWG No.: 1M0798A00	